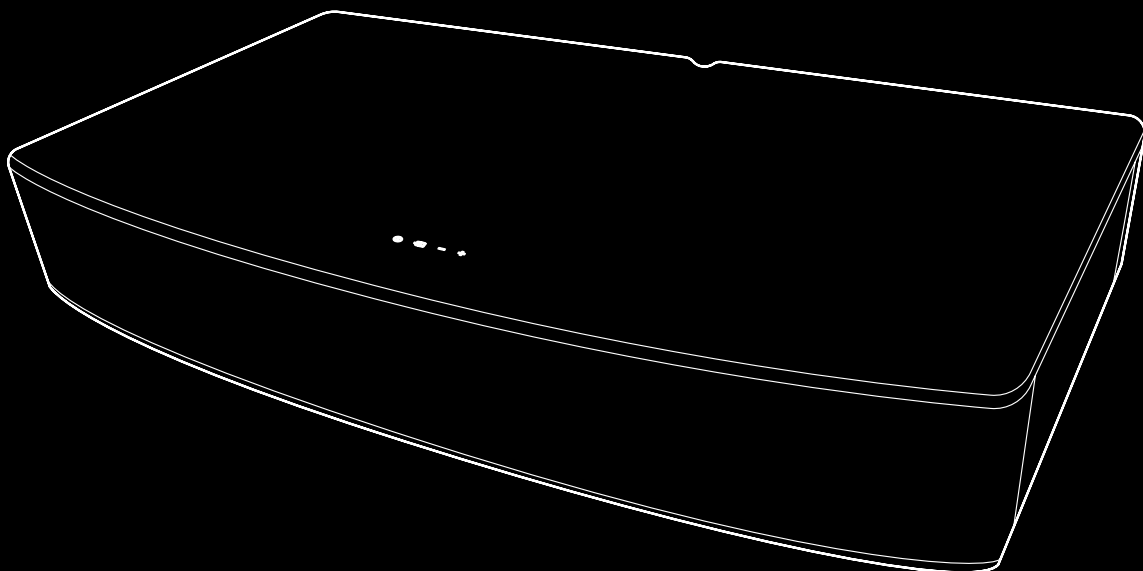


# FLUANCE®

High Performance Soundbase  
Speaker System

AB40



## Instructional Manual

Thank you for your purchase of this Fluance product. Please read this manual carefully before using the product to ensure proper use. Keep this manual in a safe place for future reference.

[fluance.com](http://fluance.com)

# FLUANCE®

Fluance has successfully revolutionized the home audio industry. Fluance develops a broad line of high-fidelity products based on five key aspects: Sound Quality, Solid Construction, Performance, Style, and Value. These distinctive points make Fluance the most reliable and respected name among our fans and ensure your music is heard the way your favorite artist intended.

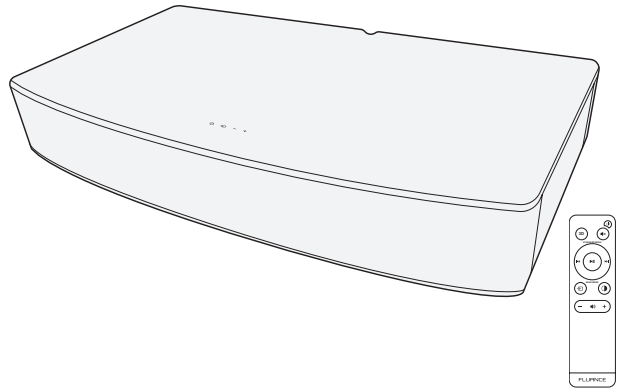
Today, Fluance expands on this vision and takes its approach to a new level. With our dedicated team, Fluance assures its products meet the most stringent marks of quality control - overseeing each step from design to manufacturing - and has raised the industry bar in customer experience and quality to be second-to-none.

# Table of Contents

What's Included.....	4
Bluetooth® Pairing for Bluetooth Enabled Smartphones.....	4
Pairing Multiple Devices.....	5
Reconnecting Your Device.....	5
Out of Range or Lost Signal.....	5
Using the Remote.....	6
Cabinet Buttons & LED Indicator.....	6
Placing Your Soundbase System.....	7
Connecting Your Soundbase System.....	8
Connecting to Power.....	9
FAQ.....	10
Troubleshooting.....	12
Specifications.....	13
Fluance Warranty.....	14
Important Safety Instructions.....	15
FCC & IC Information.....	16

# What's Included

- High Performance Soundbase Speaker System
- Remote Control
- Optical Cable
- Power Adapter
- 2x AAA Batteries
- Quick Start Guide
- 2 Year Parts & Labor Warranty
- Lifetime Customer Support



*Certain Bluetooth® features, including those listed, may not be supported by all compatible Bluetooth-enabled devices, and/or the functionality of such features may be limited in certain devices, or by certain wireless carriers.*

*We reserve the right to change models, configuration, or specifications without notice or liability. Product may not be exactly as shown.*

*©2017 FLUANCE®. FLUANCE®, the FLUANCE® logo, and any other FLUANCE® marks may be registered. All other trademarks are property of their respective owners.*

## Bluetooth® Pairing for Bluetooth Enabled Smartphones

1. Set the Fluance AB40 to the Bluetooth® input.
2. Press the source button on the remote control or on the touch panel of the Soundbase until the Blue LED appears.
3. The LED should now be flashing BLUE. This means the Soundbase is ready for pairing.
4. Enable Bluetooth on your device.
5. Under the Bluetooth settings select “Fluance AB40”.
6. You will now be connected and able to play/pause/skip tracks using either the device or remote control.

### **Important!**

**How you access your Bluetooth® Settings may vary from one manufacturer to another. Maximum line of sight for Bluetooth transmission range is 33ft. Obstacles may decrease transmission distance.**

## Pairing Multiple Devices

Although the Fluance AB40 can only play music from one device at a time, it can memorize up to 8 device profiles. Switching from one device to another:

1. Access the Bluetooth® function and turn the Bluetooth function of the device OFF.  
(OPTIONAL: Press and hold the Play/Paude button on the remote then release to break the connection)
2. The Fluance AB40 can now be connected to a different device.
3. Follow the “For Bluetooth Enabled Smartphones” instructions to pair a new device.

## Reconnecting Your Device

If you move out of range or turn off the Bluetooth® feature on your device, the Fluance AB40 will disconnect from your device. To reconnect, simply turn the Bluetooth feature back on or move within 33 feet (line of sight) of the Fluance AB40.

### **Important!**

**Unit will auto-pair if it was the last device connected. If not, please refer to the pairing instructions.**

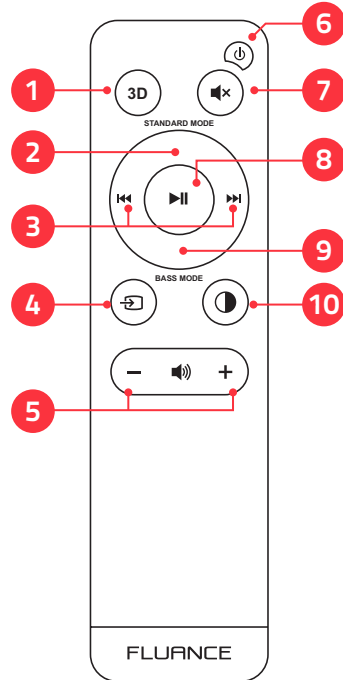
## Out of Range or Lost Signal

If the device is out of range (beyond 33 feet) of the Fluance AB40 or if there is something blocking the Bluetooth® signal, the Bluetooth LED will flash to indicate that the Bluetooth connection with the device has been lost. To avoid a lost connection:

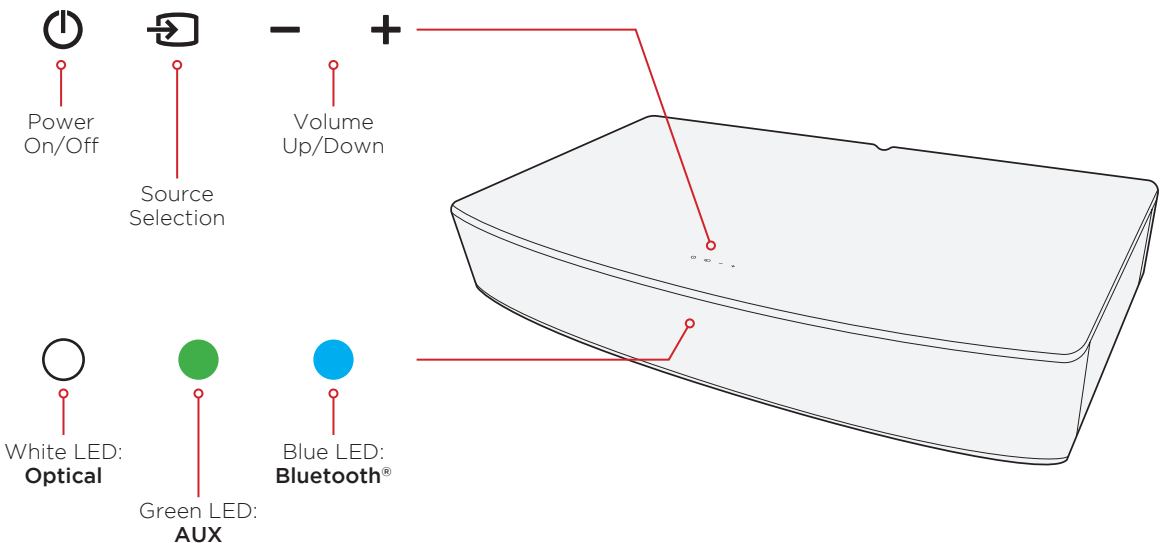
1. Move the device back into range (within 33 feet), and/or make sure there's a clear line of sight and that there are no obstructions between the Fluance AB40 and the device.
2. Within 15 seconds, the connection will automatically be reestablished and the Bluetooth LED light will turn solid.
3. If the connection is lost for more than 15 seconds, the connection will need to be reestablished.

# Remote Control Layout

- 1. Virtual Surround Sound ON/OFF**  
For a more life like viewing-experience ideal for movies and TV shows. LED will flash 2x when enabled and 1x when disabled.
- 2. Standard Mode**
- 3. Previous/Skip Track**
- 4. Source Selection**  
Bluetooth/Aux/Optical
- 5. Volume Down/Up**
- 6. Power ON/OFF**
- 7. Mute**
- 8. Play/Pause**  
Hold for 5 seconds to reset Bluetooth® pairing
- 9. Bass Mode**
- 10. Brightness**  
HIGH/LOW/OFF

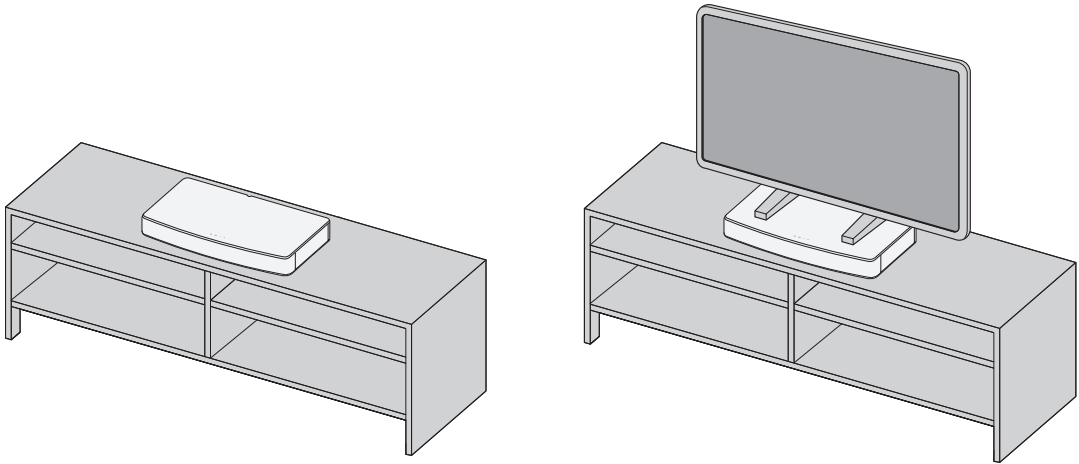


# Cabinet Buttons & LED Indicator



## Placing Your Soundbase System

- Place the Soundbase on your media table where you had your TV.
- Place your TV on top of your Soundbase



### Placement Guidelines:

If placing the sound system in a cabinet or on a shelf, position the front of the system as close as possible to the front edge of the shelf for optimum audio performance

### **Important!**

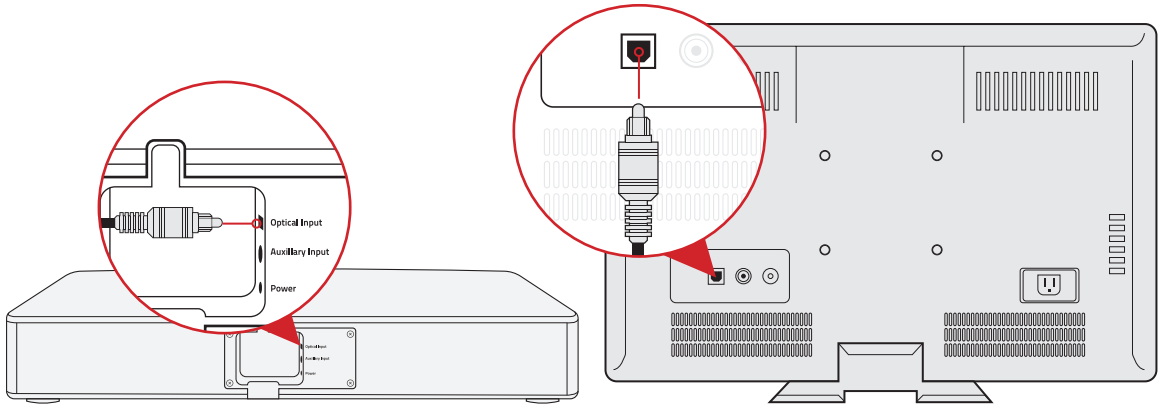
**If placing the sound system backed up to a wall, make sure there is a space of at least 1" (2.5 cm) between the wall and the rear of the system. With any placement of this product, make sure the ventilation openings on the rear panel are not blocked**

# Connecting Your Soundbase System

## Option 1: Optical Cable (Preferred Method)

- Plug one end of the Optical Cable into the Soundbase
- Plug the other end into the TV's optical output

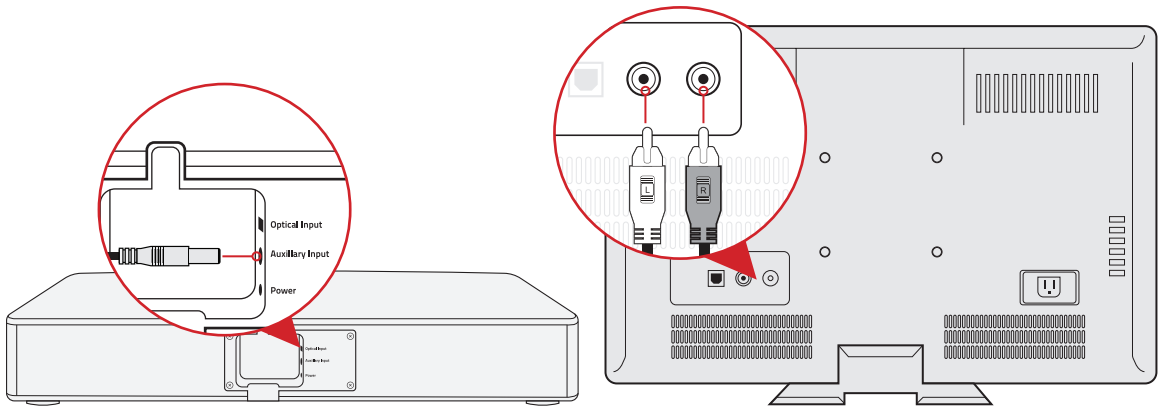
**Important:** Ensure protective caps are removed from the ends of the Optical cable.



## Option 2: Auxiliary Cable (Optional)

- Plug one end of the Auxiliary Cable into the Soundbase
- Plug the L and R connectors to the TV's auxiliary outputs

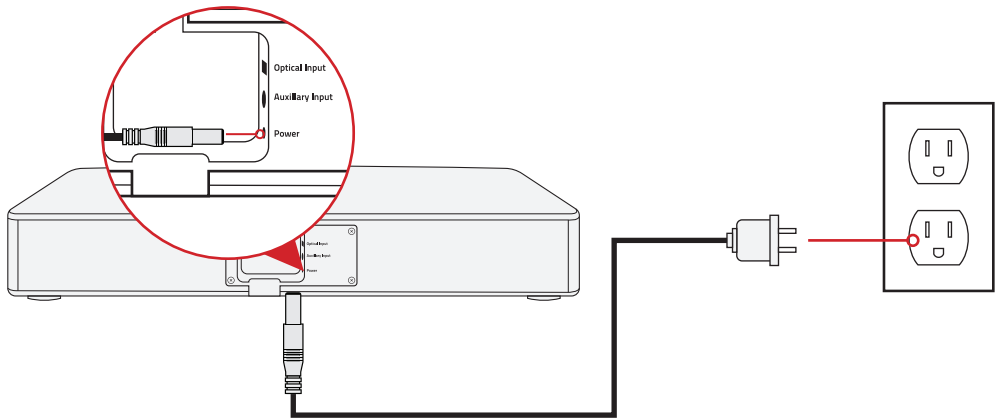
**NOTE:** This setup is optional as it is not required to set up the product. Auxiliary Cable is NOT included.





## Connecting to Power

- Plug one end of the Power Cable into the Power Input
- Plug the other end into a power outlet.



# FAQ

## What does the “3D” toggle do?

The 3D toggle will enable or disable the 3D Virtual Surround Sound mode. The Virtual Surround Sound mode uses a 3D algorithm to create a wider more room filling soundstage. This technical Grammy award winning software combined with angled drivers on each side of the cabinet result in a superb immersive experience.

## How do I adjust the Volume / Change the EQ settings?

Use the +/- buttons on the remote or touch panel located on the cabinet to increase or decrease the volume accordingly. The range of volume is 0 to 40. To adjust the EQ settings either select STANDARD or BASS BOOST on the remote control to select your desired EQ setting. STANDARD EQ is the Soundbase default EQ. It has been designed for an ideal audio experience across all applications. BASS BOOST EQ increases the volume of the low end frequencies, resulting in a more impactful experience.

## What is “Auto-Pairing” and how does it work?

Auto-Pairing is a convenient connection feature implemented into all Fluance Bluetooth Speakers. If the connected Bluetooth enabled device leaves the connection range of the AB40 and returns at a later time, the device will automatically connect. If the device's Bluetooth function is disabled and then enabled at a later time, the device will automatically connect as well.

**\*Note that the Fluance Soundbase will only Auto-Pair to the last device that it was connected to.**

## How do I change the input of the Fluance Soundbase?

Press the SOURCE button on either the remote or touch panel of the cabinet to cycle between AUX, Optical, and Bluetooth inputs. You can also press the Bluetooth button on the remote to switch directly to Bluetooth mode.

## What does the LED color/behavior mean?

GREEN = 3.5mm AUX input  
WHITE = Optical input  
BLUE = Bluetooth input

**If the LED flashes once it means that the Soundbase has received the command from the remote or touch panel.**

## Another device is connected to the AB40 and I wish to connect my device.

You can reset any Bluetooth connection by pressing and holding the Bluetooth® button on the remote. The AB40 will be available to connect to any new device for the next 30 seconds. If no device is found, the AB40 will auto-pair back to the previously connected device.

**\*Note only one device can be paired at a time.**

**What is the range of the Bluetooth Connection?**

The AB40 operates with Power Class 2 Bluetooth devices, which have a range of approximately 33' feet (line of sight).

**What is the break-in period for Fluance speakers?**

The break in period for our speakers is about 10 hours of playing time at normal listening volumes. After this period the drivers will have had enough movement to perform at their peak level.

# Troubleshooting

Issue	Device	Fluance AB40
No audio from Fluance AB40 speaker using Bluetooth®	<p>Confirm that your Smartphone/Device is powered ON</p> <p>Confirm that the Bluetooth function is ON</p> <p>Confirm you are connected via Bluetooth with the Fluance AB40</p> <p>Confirm you are playing music from your Smartphone/Device</p> <p>Confirm that the volume is set to a comfortable listening level</p> <p>Confirm you are within range of the Fluance AB40</p>	<p>Confirm that the Fluance AB40 is powered ON</p> <p>Confirm you are within range of the Smartphone/Device</p> <p>Confirm that the volume on the Fluance AB40 is set to a comfortable listening level</p> <p>Confirm you are set to the Bluetooth source input</p> <p>Ensure the Fluance AB40 is not set to MUTE.</p> <p>Ensure the LED is solid BLUE</p>
No audio from Fluance AB40 speaker using Auxiliary Audio Cable or Optical Cable	<p>Confirm that your audio source is powered ON and not muted</p> <p>Confirm that the Auxiliary Audio Cable or Optical Cable is correctly and firmly connected to both audio source and the AB40 Soundbase</p> <p>Confirm you are playing music from your audio source</p> <p>Confirm that the volume is set to a comfortable listening level</p> <p>Ensure the cable is not damaged or frayed</p>	<p>Confirm that the Fluance AB40 is powered ON</p> <p>Confirm that the volume on the Fluance AB40 is set to a comfortable listening level</p> <p>Ensure the Fluance AB40 is not set to MUTE.</p> <p>Confirm that the Fluance AB40 is set to the correct input (AUX or Optical)</p>
The sound appears to have a delay or echo	<p>Ensure your TV speakers are not producing any sound</p> <p>Disable or mute TV speakers</p>	<p>Ensure the bass ports on the left and right side of the Fluance AB40 have a minimum of 6 inches of space</p>
Remote control is not functioning	N/A	<p>Ensure batteries are functional and properly installed</p> <p>Ensure there are no obstacles between the remote and Soundbase</p> <p>Ensure the LED of the remote flashes when pressing any of the buttons</p> <p>Point the remote towards the center of the Soundbase when operating</p>

# Specifications

Specifications	AB40
System Type	2 Way 6 Driver Soundbase Music System with Integrated Amplifier
Tweeter	Dual 1 inch Silk Soft Dome
Woofers	Four 3 inch Aluminum Cone with Rubber Surround
Frequency Response	30Hz - 20KHz
Amplifier	Class D 90 Watts
Inputs	Digital (Toslink) Optical / 3.5mm Stereo AUX
Bluetooth®	4.0 + EDR (Enhanced Data Rate) aptX
Virtual Surround Sound	Yes
Bass Boost	Yes
Power	Input: 100-240VAC, 50/60Hz 1.8A Output: 19VDC/3.15A
Max Weight Allowance	150 lbs
Enclosure	Tuned Side Port Bass Reflex Design
Dimensions (HxWxD)	3.9 x 26 x 14 inch
Weight	24 lbs
Certifications	FCC/ICES/UL

*Specifications are subject to change without notice. Measurements and weights may vary slightly.*

# Fluance Warranty

## Warranty Information

Fluance gives the following warranty to the original customer of each new Fluance product purchased from a dealer authorized by Fluance. Fluance warrants that each new product, under normal use, is free from defects, subject to the terms and conditions set forth. If a defect should occur within the warranty period, repairs will be made free of charge for parts and labor when such defects are determined by us to be attributable to faulty materials or workmanship at time of manufacture.

### Warranty Period

The Fluance products listed below are warranted for parts and labor for the stated period from the date of original purchase and are subject to the terms and conditions of the warranty.

Home Audio Passive Speakers: Lifetime Warranty

Active/Powered Speakers: 2 Year Warranty

HiFi Turntables: 2 Year Warranty

### Warranty Exclusions

- Products purchased from a dealer not authorized by Fluance.
- Products with the serial number defaced, altered or missing.
- Defects resulting from disaster, accident, abuse, misuse, lightning, power surges, neglect, unauthorized modification or water damage.
- Defects or damage as a result of repairs performed by a person or party not authorized by Fluance.
- Defects or damage occurring during shipping (claims should be made with the shipping company).

### To Obtain Warranty Service

Should your Fluance product require warranty service, please contact your Fluance Authorized Dealer and send your product fully insured and freight prepaid to the nearest Fluance authorized service center. Before sending to Fluance, you will be required to get a Return Authorization Number from your dealer.

Products shipped without a valid Return Authorization Number will be refused. To avoid possible shipping damage, make sure the product is properly packaged and well protected. Include a copy of your original bill of sale as proof of warranty along with your name, home and/or work telephone number(s), a complete return address and a detailed description of the faults.

Products repaired within warranty will be returned freight prepaid. This warranty in itself is not considered a valid proof of purchase. When applying for warranty repairs, you must present the original copy of your bill of sale as proof of warranty.

# Important Safety Instructions

## WARNING:

TO REDUCE THE RISK OF FIRE OR ELECTRIC SHOCK, DO NOT EXPOSE THIS APPARATUS TO RAIN OR MOISTURE

## CAUTION:

TO REDUCE THE RISK OF ELECTRIC SHOCK, DO NOT REMOVE COVER (OR BACK). NO USER SERVICEABLE PARTS INSIDE. REFER SERVICING TO QUALIFIED SERVICE PERSONNEL.



**WARNING**  
RISK OF ELECTRIC SHOCK  
DO NOT OPEN



The lightning flash with arrowhead symbol within an equilateral triangle is intended to alert the user to the presence of uninsulated dangerous voltage within the product's enclosure that may be of sufficient magnitude to constitute a risk of electric shock to persons.



The exclamation point within an equilateral triangle is intended to alert the user to the presence of important operating and maintenance (servicing) instructions in the literature accompanying the appliance.

**To prevent fire or shock hazard, do not use this plug with an extension cord, receptacle or other outlet unless the blades can be fully inserted to prevent blade exposure. To prevent fire or shock hazard, do not expose this appliance to rain or moisture.**

1. Read these instructions.
2. Keep these instructions.
3. Heed all warnings.
4. Follow all instructions.
5. Do not use this apparatus near water.
6. Clean only with dry cloth.
7. Do not block any ventilation openings. Install in accordance with the manufacturer's instructions.
8. Do not install near any heat sources such as radiators, heat registers, stoves, or other apparatus (including amplifiers) that produce heat.
9. Do not defeat the safety purpose of the polarized or grounding type plug. A polarized plug has two blades with one wider than the other. A grounding type plug has two blades and a third grounding prong. The wide blade or the third prong is provided for your safety. If the provided plug does not fit into you outlet, consult an electrician for replacement of the obsolete outlet.
10. Protect the power cord from being walked on or pinched particularly at plugs, convenience receptacles, and point where they exit from the apparatus.
11. Only use attachments / accessories specified by the manufacturer.
12. Unplug this apparatus during lightning storms or when unused for long periods of time.
13. Refer all servicing to qualified service personnel. Servicing is required when the apparatus has been damaged in any way, such as power-supply cord or plug is damaged, liquid has been spilled or objects have fallen into the apparatus, the apparatus has been exposed to rain or moisture, does not operate normally, or has been dropped.
14. This appliance shall not be exposed to dripping or splashing water and no object filled with liquids such as vases shall be placed on the apparatus.
15. Do not overload wall outlet. Use only power source as indicated.
16. Use replacement parts as specified by the manufacturer.
17. The product may be mounted to a wall only if recommended by the manufacturer.
18. Upon completion of any service or repairs to this product, ask the service technician to perform safety checks.
19. Avoid installing this unit in places exposed to direct sunlight or close to heat radiating appliances such as electric heaters, on top of other stereo equipment that radiates too much heat, places lacking ventilation or dusty areas, places subject to constant vibration and/or humid or moist areas.

20. Do not attempt to clean this unit with chemical solvents as this might damage the finish. Use a clean dry cloth.
21. Operate controls and switches as described in the manual. Before turning on the power, make certain that power cord is properly installed.
22. When moving the apparatus, be sure to first disconnect the power cord.
23. Use caution when wearing loose clothing or articles near the spinning turntable.

## FCC & IC Information

This equipment has been tested and found to comply with the limits for a Class B digital device, pursuant to Part 15 of the FCC Rules. This digital apparatus does not exceed the Class B limits for radio noise emissions from digital apparatus as set out in the Radio Interference Regulations of Industry Canada.

These limits are designed to provide reasonable protection against harmful interference in a residential installation. This equipment generates, uses and can radiate radio frequency energy and, if not installed and used in accordance with the instructions, may cause harmful interference to radio communications. However, there is no guarantee that interference will not occur in a particular installation. If this equipment does cause harmful interference to radio or television reception, which can be determined by turning the equipment off and on, the user is encouraged to try to correct the interference by one or more of the following measures:

- Re-orient or relocate the receiving antenna.
- Increase the separation between the equipment and receiver.
- Connect the equipment into an outlet on a circuit different from that to which the receiver is connected.
- Consult the dealer or an experienced radio/TV technician for help.
- This device complies with Part 15 of the FCC Rules. Operation is subject to the following two conditions:
  - (1) This device may not cause harmful interference, and
  - (2) This device must accept any interference received, including interference that may cause undesired operation.

### **Important!**

**Since digital circuitry may cause interference to other radio or television tuners nearby, switch this unit off when not in use or move it away from the affected radio/television tuner.**









**FLUANCE**<sup>®</sup>

[fluence.com](https://fluence.com)