



(42001) Neck Massager / Masseur de cou
User Manual / Manuel de l'utilisateur

IMPORTANT SAFETY INSTRUCTIONS

PLEASE READ BEFORE OPERATION

WARNING: To reduce the risk of burns, fire, electric shock or injury to persons:

Read the entire manual before use. To ensure safe and correct use, do not operate without carefully reading the operating manual and only use as described therein.

- Do not use this product around any water or damp areas; also make sure head and hair are completely dry before using the product
- Do not pour or spill any liquid into the unit as it may result in malfunction or electric shock
- Do not use the unit near corrosive gas (example: gasoline)
- Do not use in an excessively humid or dusty environment
- Do not expose the unit to heaters, stoves or direct sunlight
- This device is for indoor use only, do not use outdoors
- Do not use the unit where the temperature is higher than 104° F/40° C
- If the adapter is damaged, do not use the unit. (Make sure that the adaptor is replaced by the manufacturer before you continue use)
- Make sure the unit is powered off and unplugged when not in use
- Do not cover the unit while in use as overheating can occur
- Make sure all controls are powered OFF before disconnecting the massager from a power supply
- Do not put the adapter near hot surfaces as this can damage the adapter and result in fire or electric shock
- Do not use this product if there is unfamiliar noise or noise above normal operation
- Do not insert objects into any openings
- Only an experienced technician should perform maintenance on this product; do not try to do it yourself

Precautions:

- Do not use if you are experiencing any swelling, injury or inflammation on your head
- This product is intended for use in a quiet setting, do not use in a public or crowded area
- Stop use immediately should you experience any discomfort or skin allergies
- Seek medical advice immediately should you experience pain or skin allergies during or after using this product
- The unit is not designed to be used while lying down or while driving
- Do not use the unit if you have recently undergone any medical operations
- Do not use the unit if you have consumed alcohol
- Do not drop the unit on the ground
- Do not use unit for more than 20 minutes continuously
- When using this product after it has been in storage, check to see that the product is operating properly prior to use
- This product is not intended for use by individuals under the age of 12
- This product should not substitute medical care

Care and Maintenance:

- To remove dirt from plastic parts, wipe area with a damp cloth using a mild cleaning agent; wipe fabric with damp cloth. Ensure the unit is powered off and unplugged prior to cleaning
- Keep in a dry place and avoid excessive heat or cold. If storing the unit for a long time, cover with a sheet or plastic to avoid it getting dusty or dirty

It is recommended you do not use this product if you experience any of the following medical conditions:

- Have neck injury
- Have suffered burn injuries on the surrounding areas of the neck
- Are taking medication
- Have abnormal blood pressure
- Have an electronic medical device in your body, such as a pacemaker
- Have had a metal plate surgically placed in your body
- Have a have physical/mental deficiency

ADDITIONAL WARNINGS

PLEASE READ BEFORE OPERATION

Read all instructions before using this appliance.

When using an electrical appliance, basic precautions should always be taken, including the following:

This appliance is intended for household use only.

Caution

- Do not use alcohol, caustic agents or detergents in the massager in order to avoid any damage, discoloring and/or splitting of the fabric
- To avoid damaging the unit, use a damp cloth to clean around the buttons and connections
- Avoid leaving the device in direct sunlight or in excessive heat as this can cause fading of the fabric and/or housing color change
- Always turn off and unplug the appliance from an electrical outlet after using, or while cleaning

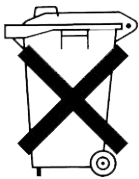
Warning

- An appliance should never be left unattended when plugged in. Unplug from outlet when not in use
- Do not cover the unit while in use as overheating can occur
- Use this massager only for its intended use as described in this manual. Do not use attachments that are not recommended by the manufacturer
- Never operate this massager if it has a damaged cord or plug, if it is not working properly, or if it has been dropped, damaged or dropped into water. You must return this massager to a certified service center for examination and repair before using again.
- Do not carry the device by the power cord or use the power cord as a handle
- Keep the power cord away from all heated surfaces
- Never operate where aerosol (spray) products are being used or where oxygen is being administered
- To disconnect, turn all controls to the off position, then remove the plug from the outlet



This device complies with part 15 of the FCC Rules. Operation is subject to the following two conditions:

- (1) This device may not cause harmful interference, and
- (2) this device must accept any interference received, including interference that may cause undesired operation.



This marking indicates that this product should not be disposed with other household wastes throughout North America. To prevent possible harm to the environment or human health from uncontrolled waste disposal, recycle it responsibly to promote the sustainable reuse of material resources. To return your used device, please use the return and collection systems or contact the retailer where the product was purchased. They can take this product for environmental safe recycling.

WARRANTY INFORMATION

Please visit our website at www.pure-therapy.com for information about your product's warranty.

We take quality very seriously. This is why all of our products come with a one-year warranty from the original purchase date against defects in workmanship and materials. If you have warranty or support issues, please contact us using any of the following methods:

Web: www.pure-therapy.com

Support: www.pure-therapy.com/support

PURE THERAPY Canada
4080 Montrose Road
Niagara Falls, ON
Canada L2H 1J9

PURE THERAPY USA
60 Industrial Parkway #Z64
Cheektowaga NY
USA 14227

Warranty Terms

1. PURE THERAPY® products are guaranteed for a period of one year from the date of purchase against defects in workmanship and materials. This warranty is limited to the repair, replacement or refund of the purchase price at PURE THERAPY's option.
2. This warranty becomes void if the product shows evidence of having been misused, mishandled or tampered with contrary to the applicable instruction manual.
3. Routine cleaning, normal cosmetic and mechanical wear and tear are not covered under the terms of this warranty.
4. The warranty expressly provided for herein is the sole warranty provided in connection with the product itself and no other warranty, expressed or implied is provided. PURE THERAPY assumes no responsibilities for any other claims not specifically mentioned in this warranty.
5. This warranty does not cover the shipping cost, insurance or any other incidental charges.
6. You MUST contact PURE THERAPY at www.pure-therapy.com/support before sending any product back for repair. You will be sent a Return Authorization form with return instructions. When returning the product for warranty service, please pack it carefully in the original box with all supplied accessories, and enclose your original receipt or copy, and a brief explanation of the problem (include RA #).
7. This warranty is valid only in Canada and the continental U.S.
8. This warranty cannot be re-issued.

TABLE OF CONTENTS

Safety Instructions	2
Warranty Information.....	4
What's Included	5
Disclaimers	5
Buttons and Connections	6
Setup.....	7
Fitting the Massager	7
Operation.....	8
Power ON/OFF	8
Increase Massage Intensity	8
Reduce Massage Intensity	8
Shiatsu Modes	9
Troubleshooting	9
Specifications	9

WHAT'S INCLUDED

- Neck Massager
- Power Adapter
- Quick Start Guide
- 1 Year Warranty
- Lifetime Customer Support

DISCLAIMERS

Read the entire manual before use. To ensure safe and correct use, do not operate without carefully reading the operating manual and only use as described therein

This product should not substitute medical care

Do not use if you are experiencing any swelling, injury or inflammation

Seek medical advice immediately should you experience pain or skin allergies during or after using this product

The unit is not designed to be used while lying down

Do not use the unit if you have recently undergone a neck or spine operation

This product is not intended for use by individuals under the age of 12

Do not use this product around any water or damp areas make sure your neck and hair are completely dry before using the product

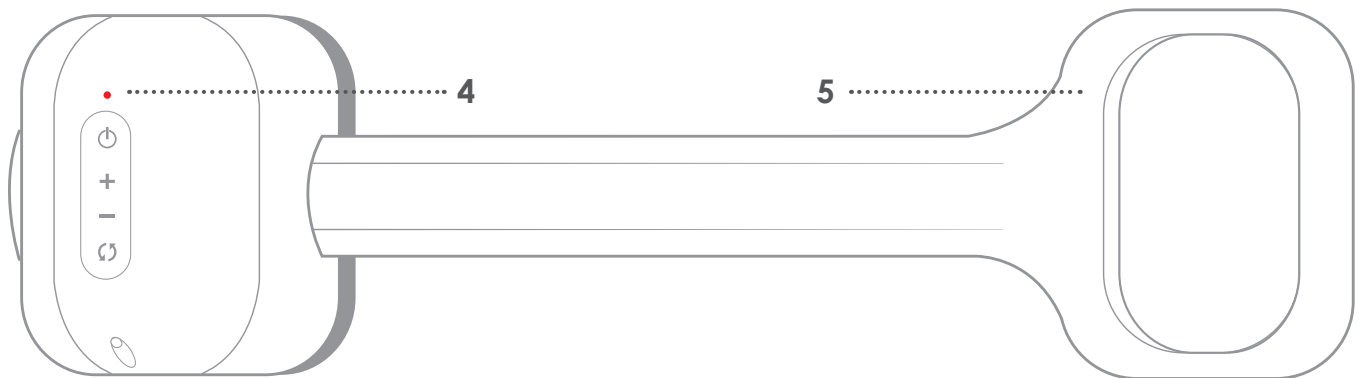
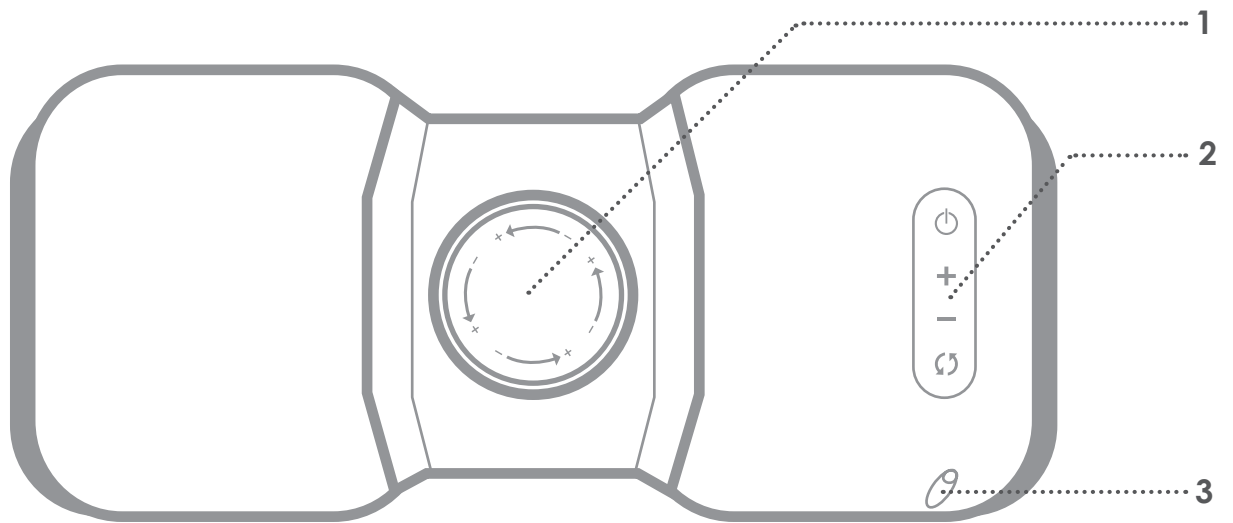
Do not expose the unit to heaters, stoves or direct sunlight

Make sure all controls are powered OFF before disconnecting the unit from a power supply

Do not put the adapter near hot surfaces as this can damage the adapter and result in fire or electric shock

©2014 PURE THERAPY®. All rights reserved. PURE THERAPY®, the PURE THERAPY ® logo, and other PURE THERAPY ® marks may be registered. All other Trademarks are the property of their respective owners.

BUTTONS AND CONNECTIONS



1 Size Adjustment Knob

2 Operating Buttons

⏻ Power Button

+ Intensity Level Up

- Intensity Level Down

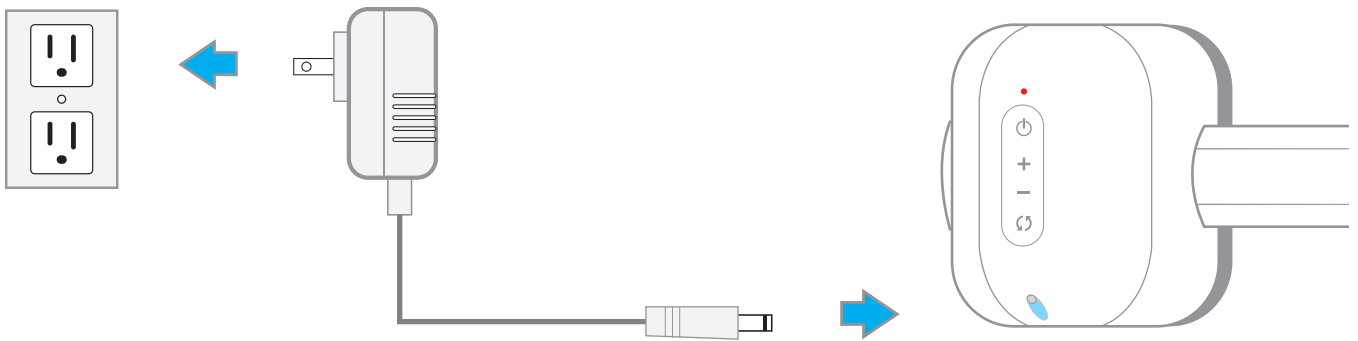
↻ Mode Selection

3 DC Power Input

4 Power LED

5 Handles

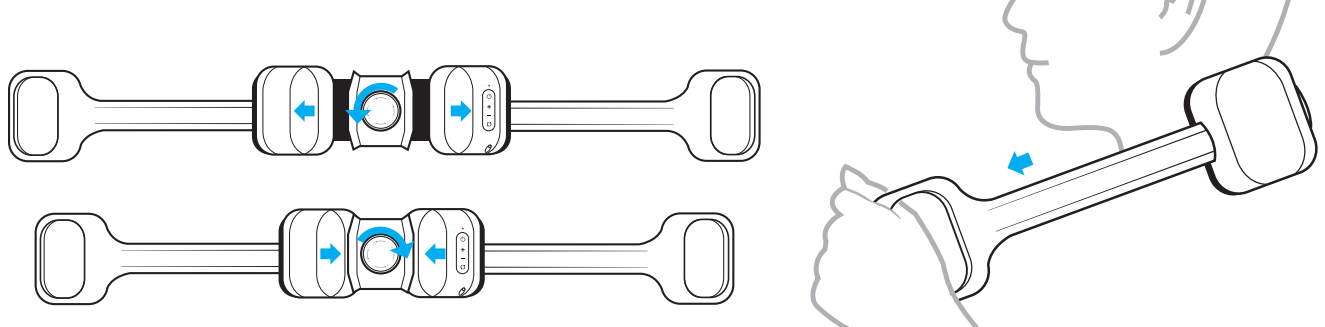
BUTTONS AND CONNECTIONS



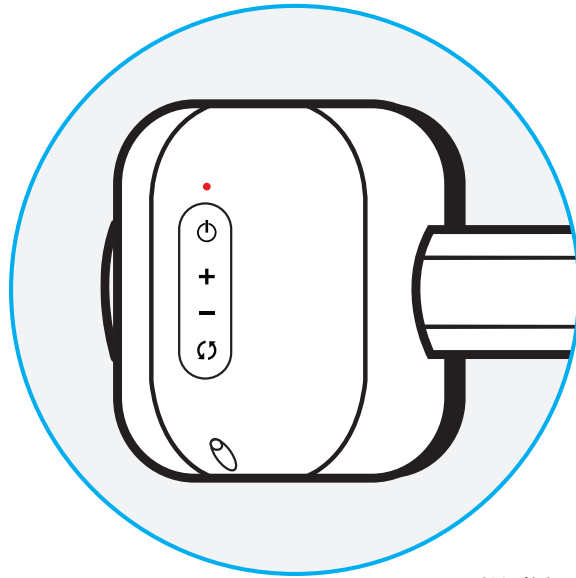
The Massager is powered with a high-performance lithium battery. While charging, the LED indicator **flashes red and green**. The LED indicator is **solid green** when fully charged.

SETUP

Place the massager head on the back of your neck.
Pull the Handles with both hands.
Rotate the knob to adjust the unit to the most comfortable fit.



OPERATION



*Unit beeps each time a button is pressed

Press Power Button  to turn unit on/off.



ON = LED turns red and massager starts immediately

*Preset Default Mode is Medium Intensity + Shiatsu Mode 4 + 20 minutes

OFF = LED and massager turn off (massager also stops when preset timer is done)



Press + to increase massage intensity



Press - to reduce massage intensity

* Default intensity is medium level

Press  to cycle through the 4 massage modes (Default mode is Shiatsu Mode 4)



Modes = Shiatsu Mode 1 ► Shiatsu Mode 2 ► Shiatsu Mode 3 ► Shiatsu Mode 4

*The massage nodes move in different directions for each mode setting.

SHIATSU MODES

Shiatsu Mode 1	Sets prongs on both sides to a clockwise motion
Shiatsu Mode 2	Sets prongs on both sides to a counter-clockwise motion
Shiatsu Mode 3	Sets the prong on your right shoulder to a clockwise motion and the prong on your left shoulder to a counter-clockwise motion to mimic hands massaging outwards.
Shiatsu Mode 4 (Default Mode)	Sets the prong on the right to a counter-clockwise motion and the prong on the left to a clockwise motion to mimic hands massaging inwards.

TROUBLESHOOTING

ISSUE	POSSIBLE SOLUTION
Equipment does not function	<ul style="list-style-type: none"> The battery may be depleted; charge battery The power adapter may not be properly connected
Equipment will not charge	<ul style="list-style-type: none"> The power adapter may not be properly connected
Weak vibration	<ul style="list-style-type: none"> The battery may be low; charge battery

SPECIFICATIONS

Power	100-240V ~ 50 - 60HZ
Operation Current	<2A
Power Consumption	10W
Battery Operable	Yes, 3.7V 2300mAH lithium battery
Battery Life	>1 hours continuous
Measurements (massager)	L 223 x W 102 X H 92 (mm) L 8.77 x W 4.01 x H 3.62 (in)
Net Weight	850g / 1.87lbs
Timer	20 minutes
Adjustable Vibration	Yes
Vibration Frequency Range	80-130 RPM