

FLUANCE®

User Manual

Ai40 - Active Bookshelf Speakers



Serious Performance™

Fluance.com

Introduction

Fluance believes everyone should experience audio in its truest form, recreating the performance the way the artist intended. Utilizing only superior components and expert audio engineering, their products are a testament to the performance that can be achieved when a passion for music takes center stage. The perfect complement to any audiophile's lifestyle, you'll be enjoying live performances in your home for years to come.

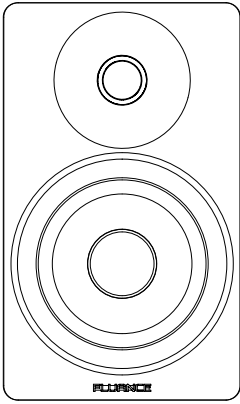
Break-in Period

Our speakers have a Butyl rubber ring surrounding the cone. The break-in period allows the rubber to loosen and stretch, allowing the cone a larger range of movement, which gives a better sound reproduction. We recommend 10-12 hours of play at moderate volume to achieve this.

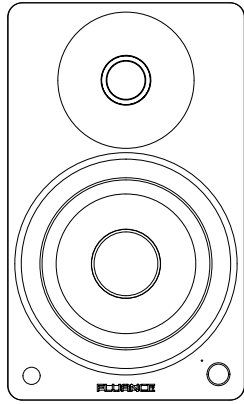
Table Of Contents

Introduction	2
Break-in Period	2
What's Included	4
Front & Back Panel Layout	5
Remote Control Layout	6
Product Setup	7
Turning On/Off Unit	8
Source Selection	8
RCA Input	9
Bluetooth® Pairing	10
Volume Adjustment	11
EQ Adjustment	11
Adjusting Source LED Brightness	11
Frequently Asked Questions	12
Troubleshooting	13
Specifications	14
Warranty	15
Important Safety Instructions	16
FCC & IC Information	17

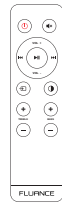
What's Included



Ai40 Passive Speaker
(Left Channel)



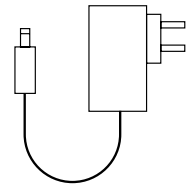
Ai40 Active Speaker
(Right Channel)



Remote Control



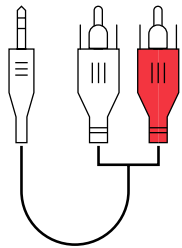
2 'AAA' Batteries



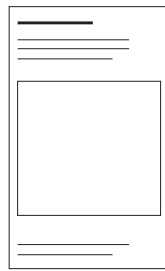
Power Adapter



Speaker Wire



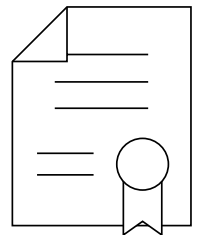
AUX-to-RCA Cable



Quick Start Guide



Lifetime Customer Support

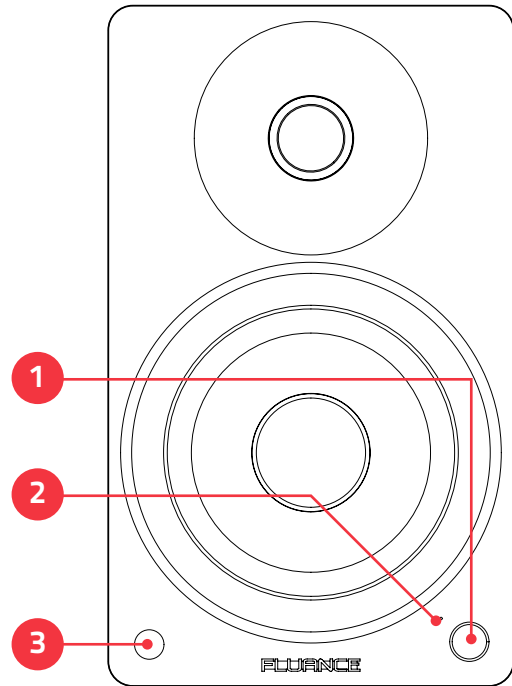


2 Year Warranty

Front & Back Panel Layout

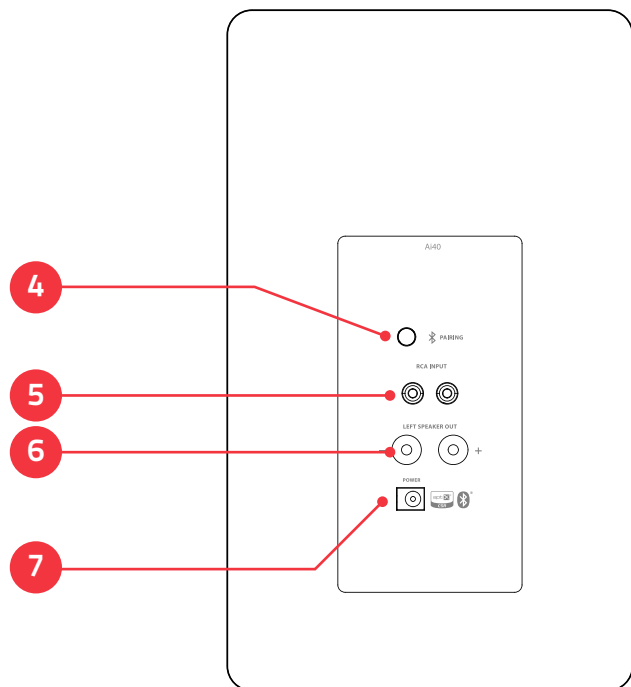
Active Speaker - Front

1. Control Knob
 - Volume
 - Input Selection
 - Power ON/OFF
2. Source LED
 - Blue (Solid) - Bluetooth® Paired
 - Blue (Flashing) - Bluetooth® Pairing
 - Yellow (Solid) - RCA
 - Red (Solid) - Standby Mode
 - Red (Flashing) - Mute
 - Red (Flash x2) - Bass/Treb Set to -5 or +5
 - Blue/Yellow (Flash x2) - Bass/Treb Set to 0
3. IR Sensor



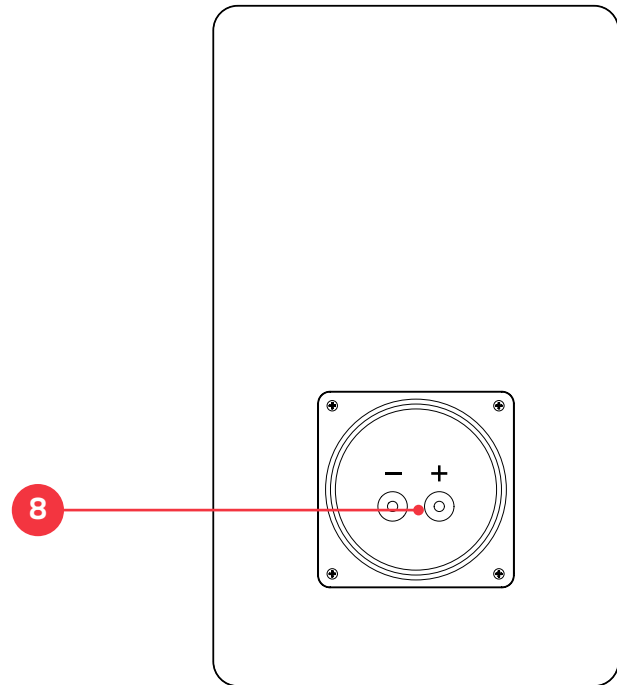
Active Speaker - Back

4. Bluetooth® Reset Pairing
5. RCA Input
6. Left Speaker Output
7. DC Input



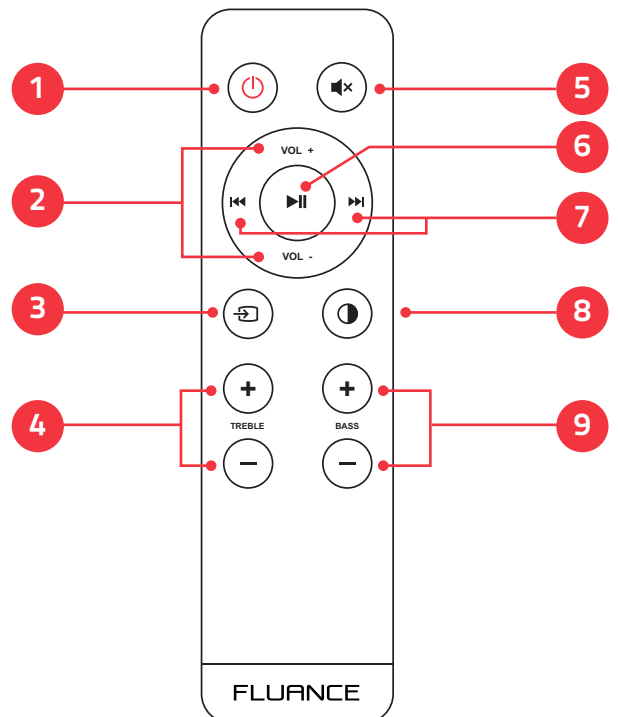
Passive Speaker - Back

8. Speaker Input



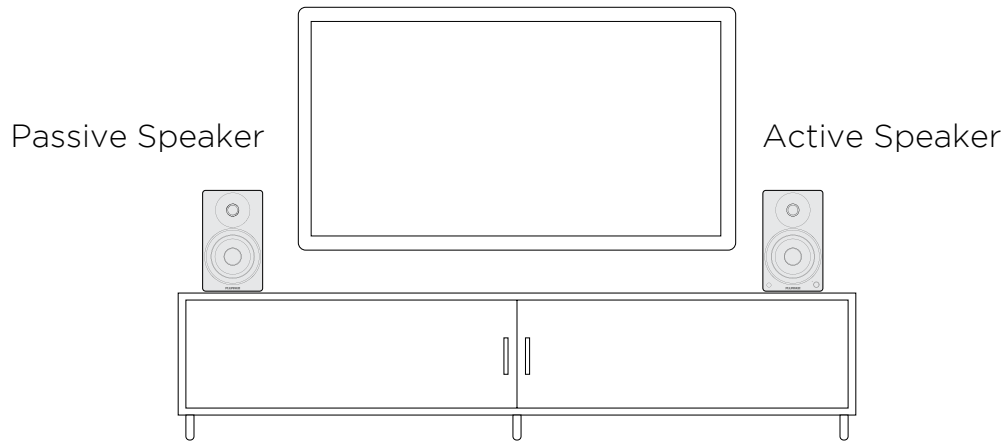
Remote Control Layout

1. Power ON/OFF
2. Volume UP/DOWN
3. Source
4. Treble UP/DOWN
5. Mute
6. Play/Pause & Bluetooth Pairing Reset*
**To enable Bluetooth Pairing Reset, press + hold for 3 seconds.*
7. Forward/Back
8. LED Brightness - (100% > 25% > OFF)
9. Bass UP/DOWN



Product Setup

1. Position the speakers with the Active Speaker on the right and the Passive Speaker on the left.



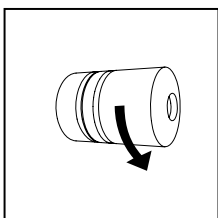
NOTE: If placing the speakers in a cabinet or on a shelf, position the front of the speakers as close as possible to the front edge of the shelf for optimum audio performance.

2. Connect one end of the speaker wire to the binding posts on the back of the Active Speaker and connect the other end of speaker wire to the binding posts on the back of the Passive Speaker.

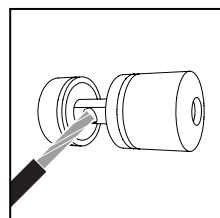
IMPORTANT: Ensure the same color wire is connected to the same color binding posts on each speaker.

NOTE: The included speaker wire is 8ft. If placing your speakers further than 8ft apart it is recommended to use standard 18 gauge speaker wire to connect the speakers over the longer distance.

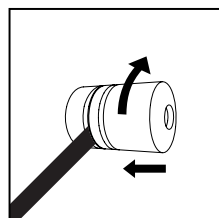
3. Connect the power adapter to the back of the Active Speaker.



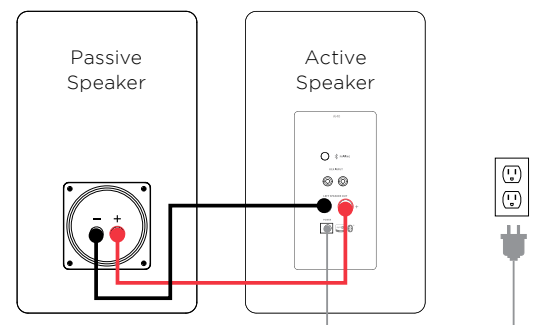
Loosen the binding post



Insert speaker wire through hole

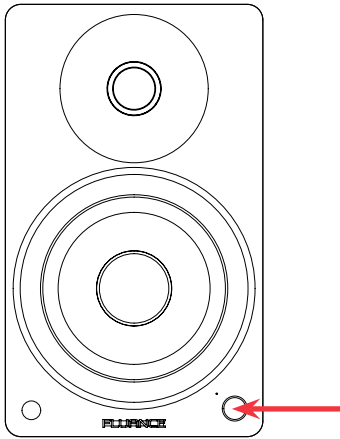


Tighten the binding post




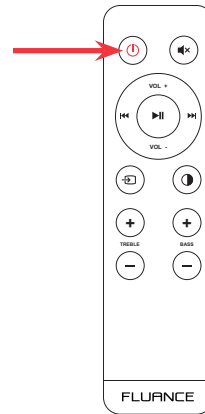
Turning On/Off Unit

Press the Control Knob to turn on the unit. Hold to turn off the unit.



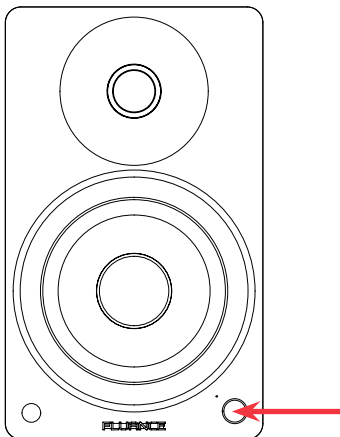
OR

Press  on the Remote to turn the unit on/off.




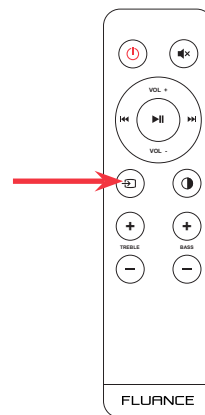
Source Selection

Press the Control Knob to cycle through the audio inputs.




OR

Press  on the remote to cycle through the audio inputs.



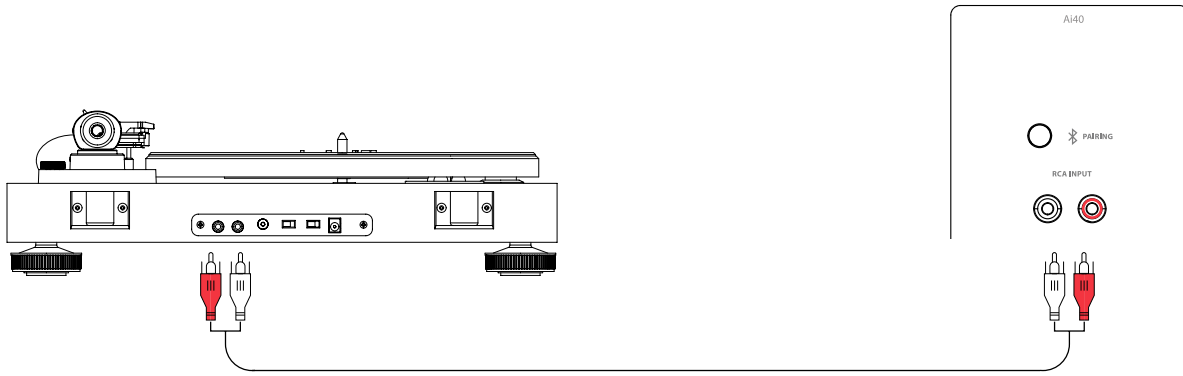
The Source LED will show the below color for each source:

 (Blue) Bluetooth

 (Yellow) RCA

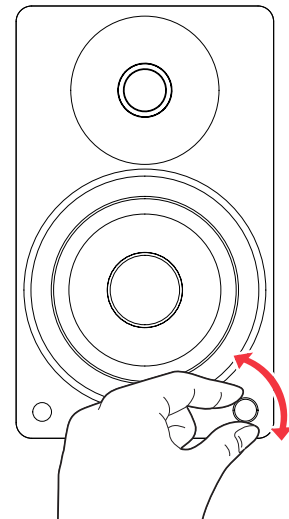
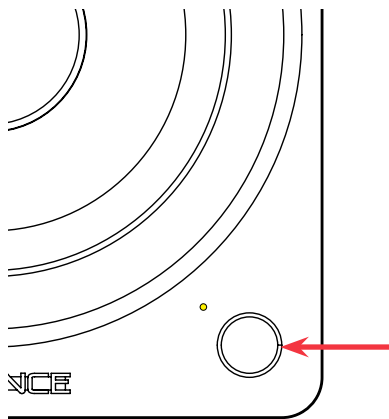
RCA Input

1. Connect the RCA cable to your source device (Turntable, Smartphone, Computer...).
2. Connect the other end of the RCA cable to back of the Active Speaker.



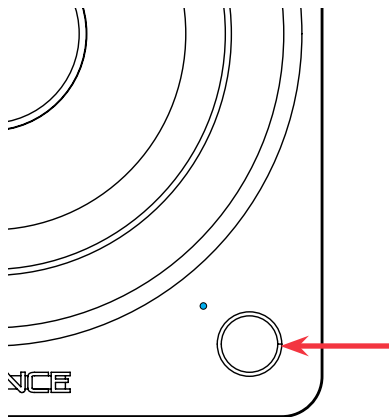
**RCA to RCA cable not included*

3. Press the Control Knob to select the RCA input (Yellow LED).
4. Adjust volume on Ai40 as well as source device.

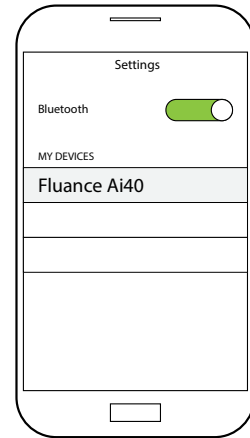


Bluetooth® Pairing

1. Press the Control Knob to select the Bluetooth input (Blue LED).



2. Pair to "Fluance Ai40" on your source device.




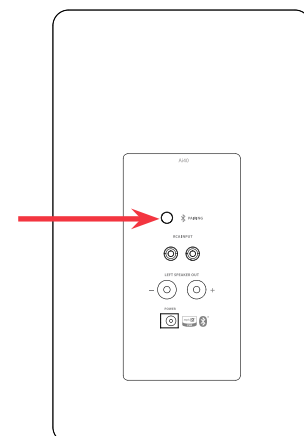
Note: Unit will attempt to auto-pair to the last paired device.

3. Use the Remote to control playback on your source device.



4. If your device cannot find "Fluance Ai40", you can reset Bluetooth pairing:

- Press and hold  for 3 seconds to reset Bluetooth pairing.
- OR**
- Press and hold the Bluetooth Pairing Reset Button on the back of the unit.



Note: How you access your device's Bluetooth settings may vary from one manufacturer to another. Maximum line of sight for Bluetooth range is 33ft. Obstacles may decrease transmission distance.




Volume Adjustment

Turn the Control Knob or use the Remote to increase or decrease volume.

EQ Adjustment

Use the Bass/Treble buttons on the Remote to adjust each from -5 to +5.

LED Behavior:

-  Red (Flash 2x) - Bass/Treble Set to -5 or +5
-  Bluetooth: Blue (Flash 2x) - Bass/Treble Set to 0*
-  RCA: Yellow (Flash 2x) - Bass/Treble Set to 0*

**Note: The Status LED will flash the input color when Bass/Treble is set to 0.*

Adjusting Source LED Brightness

Use the LED Brightness Button  on the Remote to cycle between 100%, 25%, and OFF brightness levels.

Note: When set to OFF, the LED will turn on for 5 seconds when power is turned on or new Source is selected, before turning off again.

Frequently Asked Questions

What is “auto-pairing” and how does it work?

Auto-pairing is a convenient connection feature included in all Fluance Bluetooth Speakers. If the connected Bluetooth-enabled device leaves the connection range of the Ai40 and returns at a later time, the device will automatically connect. If the device’s Bluetooth function is disabled and then enabled at a later time, the device will automatically connect as well.

*Note: The Fluance Ai40 will only auto-pair to the last device that it was connected to.

How do I change the source on my Fluance Ai40?

See page 8

How do I adjust the Volume on my Fluance Ai40?

See page 11

How do I adjust the Bass and Treble on my Fluance Ai40?

See page 11

Another device is connected to my Fluance Ai40 and I want to connect my device.

You can reset any Bluetooth connection by pressing and holding the Bluetooth Pairing Reset button on the back of the Active Speaker for 1 second. You can also press and hold “Play/Pause” on the Remote for 3 seconds.

What is the range of my Bluetooth Connection?

The Fluance Ai40 operates with Power Class 2 Bluetooth devices, which have a range of approximately 33 feet (line of sight).

What is the break-in period for Fluance speakers?

The break-in period for your Fluance Ai40 speakers is about 10 hours of playing time at normal listening volumes. After this period, the drivers will have had enough movement to perform at their peak level.

Troubleshooting

No Power

- Ensure the LED Brightness is not set to OFF
- Check all connections on power adapter and ensure fully inserted

No Audio

- Check volume on Ai40 and ensure it is above 0
- Check volume on source device and ensure it is above 0
- Confirm Ai40 is set to correct source
- Ensure all cables are connected properly and fully inserted

No Audio from Passive Speaker

- Check speaker wire connections between speakers and ensure securely connected to binding posts

Poor Audio

- Ensure the colored wires are connected to the corresponding colored binding posts on each speaker
- Test with another audio source device to determine source of issue

Specifications

Speaker Configuration	2 Way - 4 Driver Bluetooth Music System with Integrated Amplifier
Bluetooth	Yes; aptX Codec
Input	RCA L/R
Tweeter	1 inch Silk Soft Dome Ferrofluid Cooled
Woofers	5 inch Woven Glass Fiber Composite Drivers with Butyl Rubber Surrounds
Amplifier Power	70 Watts Continuous Average Output
Frequency Response	40Hz - 20KHz
Internal Lead Wire	18 gauge Internal Lead Wire to Reduce Signal Degradation
Power	Input: 100-240V; Output: 19V 3.15A
Enclosure	Sealed Enclosure with Passive Bass Extension
Dimensions	10.9 x 6.5 x 7.6 inch
Speaker Weight	15.1 lbs

Warranty

Fluance gives the following warranty to the original customer of each new Fluance product purchased from a dealer authorized by Fluance. Fluance warrants that each new product, under normal use, is free from defects, subject to the terms and conditions set forth. If a defect should occur within the warranty period, repairs will be made free of charge for parts and labor when such defects are determined by us to be attributable to faulty materials or workmanship at time of manufacture.

Warranty Period

The Fluance products listed below are warranted for parts and labor for the stated period from the date of original purchase and are subject to the terms and conditions of the warranty.

Home Audio Passive Speakers: Lifetime Warranty

Active/Powered Speakers: 2 Year Warranty

HiFi Turntables: 2 Year Warranty

Warranty Exclusions

- Products purchased from a dealer not authorized by Fluance.
- Products with the serial number defaced, altered or missing.
- Defects resulting from disaster, accident, abuse, misuse, lightning, power surges, neglect, unauthorized modification or water damage.
- Defects or damage as a result of repairs performed by a person or party not authorized by Fluance.
- Defects or damage occurring during shipping (claims should be made with the shipping company).

To Obtain Warranty Service

Should your Fluance product require warranty service, please contact your Fluance Authorized Dealer and send your product fully insured and freight prepaid to the nearest Fluance authorized service center. Before sending to Fluance, you will be required to get a Return Authorization Number from your dealer.

Products shipped without a valid Return Authorization Number will be refused. To avoid possible shipping damage, make sure the product is properly packaged and well protected. Include a copy of your original bill of sale as proof of warranty along with your name, home and/or work telephone number(s), a complete return address and a detailed description of the faults.

Products repaired within warranty will be returned freight prepaid. This warranty in itself is not considered a valid proof of purchase. When applying for warranty repairs, you must present the original copy of your bill of sale as proof of warranty.

Important Safety Instructions

WARNING:

TO REDUCE THE RISK OF FIRE OR ELECTRIC SHOCK, DO NOT EXPOSE THIS APPARATUS TO RAIN OR MOISTURE

CAUTION:

TO REDUCE THE RISK OF ELECTRIC SHOCK, DO NOT REMOVE COVER (OR BACK). NO USER SERVICEABLE PARTS INSIDE. REFER SERVICING TO QUALIFIED SERVICE PERSONNEL.



WARNING
RISK OF ELECTRIC SHOCK
DO NOT OPEN



The lightning flash with arrowhead symbol within an equilateral triangle is intended to alert the user to the presence of uninsulated dangerous voltage within the product's enclosure that may be of sufficient magnitude to constitute a risk of electric shock to persons.



The exclamation point within an equilateral triangle is intended to alert the user to the presence of important operating and maintenance (servicing) instructions in the literature accompanying the appliance.

To prevent fire or shock hazard, do not use this plug with an extension cord, receptacle or other outlet unless the blades can be fully inserted to prevent blade exposure. To prevent fire or shock hazard, do not expose this appliance to rain or moisture.

1. Read these instructions.
2. Keep these instructions.
3. Heed all warnings.
4. Follow all instructions.
5. Do not use this apparatus near water.
6. Clean only with dry cloth.
7. Do not block any ventilation openings. Install in accordance with the manufacturer's instructions.
8. Do not install near any heat sources such as radiators, heat registers, stoves, or other apparatus (including amplifiers) that produce heat.
9. Do not defeat the safety purpose of the polarized or grounding type plug. A polarized plug has two blades with one wider than the other.
10. A grounding type plug has two blades and a third grounding prong. The wide blade or the third prong is provided for your safety. If the provided plug does not fit into you outlet, consult an electrician for replacement of the obsolete outlet.
11. Protect the power cord from being walked on or pinched particularly at plugs, convenience receptacles, and point where they exit from the apparatus.
12. Only use attachments / accessories specified by the manufacturer.
13. Unplug this apparatus during lightning storms or when unused for long periods of time.
14. Refer all servicing to qualified service personnel. Servicing is required when the apparatus has been damaged in any way, such as power-supply cord or plug is damaged, liquid has been spilled or objects have fallen into the apparatus, the apparatus has been exposed to rain or moisture, does not operate normally, or has been dropped.
15. This appliance shall not be exposed to dripping or splashing water and no object filled with liquids such as vases shall be placed on the apparatus.
16. Do not overload wall outlet. Use only power source as indicated.
17. Use replacement parts as specified by the manufacturer.
18. The product may be mounted to a wall only if recommended by the manufacturer.
19. Upon completion of any service or repairs to this product, ask the service technician to perform safety checks.
20. Avoid installing this unit in places exposed to direct sunlight or close to heat radiating appliances such as electric heaters, on top of other stereo equipment that radiates too much heat, places lacking ventilation or dusty areas, places subject to constant vibration and/or humid or moist areas.
21. Do not attempt to clean this unit with chemical solvents as this might damage the finish. Use a clean dry cloth.
22. Operate controls and switches as described in the manual. Before turning on the power, make certain that power cord is properly installed.
23. When moving the apparatus, be sure to first disconnect the power cord.
24. Use caution when wearing loose clothing or articles near the spinning turntable.

FCC & IC Information

This equipment has been tested and found to comply with the limits for a Class B digital device, pursuant to Part 15 of the FCC Rules. This digital apparatus does not exceed the Class B limits for radio noise emissions from digital apparatus as set out in the Radio Interference Regulations of Industry Canada.

These limits are designed to provide reasonable protection against harmful interference in a residential installation. This equipment generates, uses and can radiate radio frequency energy and, if not installed and used in accordance with the instructions, may cause harmful interference to radio communications. However, there is no guarantee that interference will not occur in a particular installation. If this equipment does cause harmful interference to radio or television reception, which can be determined by turning the equipment off and on, the user is encouraged to try to correct the interference by one or more of the following measures:

- Re-orient or relocate the receiving antenna.
- Increase the separation between the equipment and receiver.
- Connect the equipment into an outlet on a circuit different from that to which the receiver is connected.
- Consult the dealer or an experienced radio/TV technician for help.

This device complies with Part 15 of the FCC Rules. Operation is subject to the following two conditions:

(1) This device may not cause harmful interference, and (2) This device must accept any interference received, including interference that may cause undesired operation.

IMPORTANT!

Since digital circuitry may cause interference to other radio or television tuners nearby, switch this unit off when not in use or move it away from the affected radio/television tuner.

Fluance.com