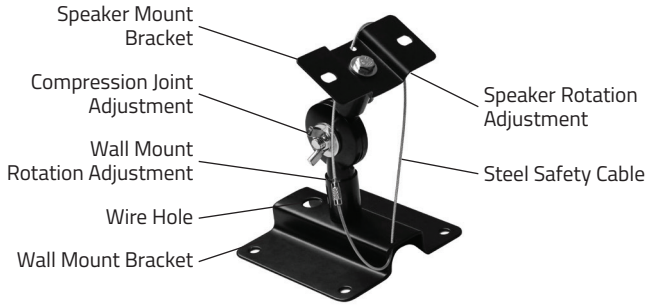


# Metal Speaker Mounts with 33 lb Capacity Installation Guide



## Included Hardware



6x



4x



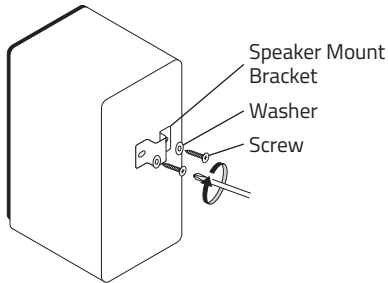
2x



4x

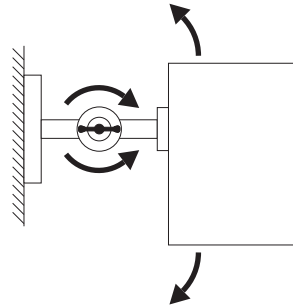
## Recommended Tools

- Pencil
- Philips Screwdriver
- Power Drill
- 1/4" Drill Bit
- 1/8" Allen Key

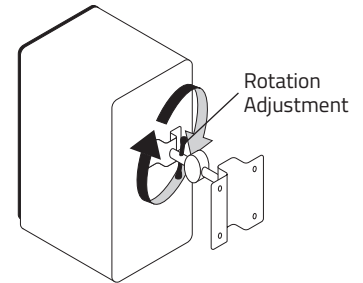


**1.** Install the speaker mount bracket onto the speaker using washers and screws. Be careful to not overtighten the screws.

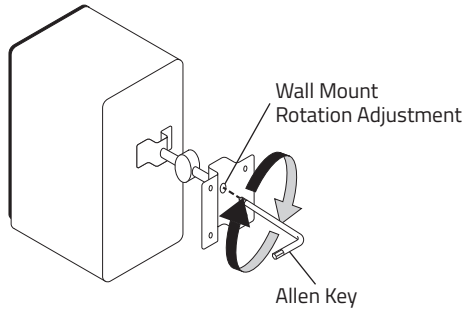
**Note:** Installing screws into your speaker may void manufacturer warranty. Consult with your speaker manufacturer for more information.



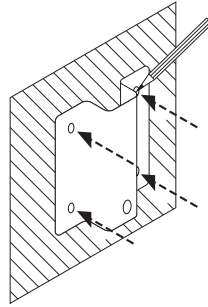
**2.** Use the compression joint adjustment to orient the speaker in the desired direction. Ensure it is tightened once positioned correctly.



**3.** Use the speaker rotation adjustment to tilt the speaker to the desired position.

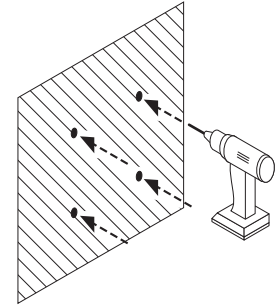


**4.** Use the wall mount rotation adjustment to rotate the speaker mount to the desired position.

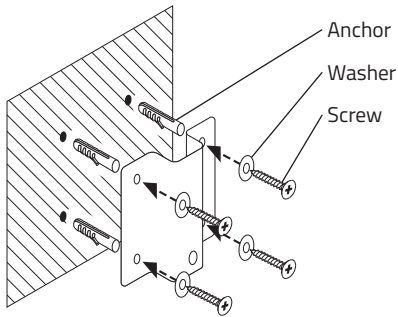


**5.** Place Bracket in desired position. Use pencil to mark the holes on the Wall Mount Bracket.

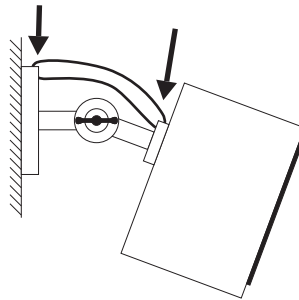
**Note:** It is recommended to install on a wall stud which can be located using a stud finder.



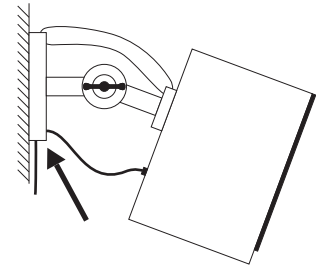
**6.** If installing in concrete or drywall, drill holes to match the size of the included mounting hardware.



**7.** Place Wall Bracket in place and use washers and screws to secure. If installing in concrete or drywall, insert anchors into predrilled holes before securing.



**8.** Once the speaker is mounted, install the steel safety cable through both safety cable holes.



**9.** When connecting the speaker wire feed it through the wire hole for easy wire management.